



LED NEON FLEX

Universal LED Neon Flex

Features

- Fabricated with Eco-friendly, UV-resistant silicone material
- Unique extrusion process and electronic design can be bended in vertical way
- Small size to satisfy different requirements
- Flexible PCB with SMD LED technology.
- 12V, 24V DC Available.
- 5 year warranty

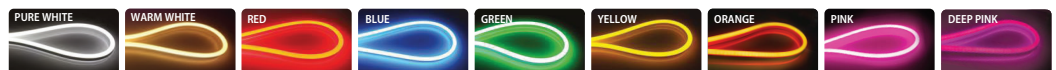
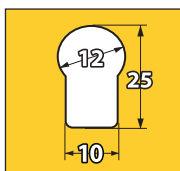
Specification

| | 12V | 24V |
|---------------------|-----------------|---------------------------|
| Power Consumption | 9.12W/M | 9.6W/M |
| Voltage | DC12V | DC24V |
| Current Dissipation | 0.76A | 0.4A |
| Available Colour | PW, R, G, Y, DP | PW, WW, R, B, G, Y, P, DP |
| Cutable Length | 26.32mm | 50mm |
| Available Length | 5M | 3M, 5M, 10M, 20M |
| Number of LED | 114 pcs/M | 120 pcs/M |
| Viewing Angle | 175° | 180° |

Technical Characteristics

| Colour | Item Code(12V/24V) | CCT(K)/Wavelength | Luminous Flux(lm) | Efficacy(lm/W) |
|------------|--------------------|-------------------|-------------------|----------------|
| Pure White | SA66491 / SA16451 | 6,500 | 546 | 22.75 |
| Warm White | - / SA16452 | 3,000 | 546 | 22.75 |
| Red | SA66493 / SA16455 | 620-625 | 231 | 9.6 |
| Blue | SA66494 / SA1645K | 465-470 | 91 | 3.79 |
| Green | SA66496 / SA16456 | 520-525 | 438 | 18.25 |
| Yellow | SA66497 / SA16457 | 585-590 | 686 | 28.58 |
| Orange | - / SA1645G | 600-605 | 227.62 | 23.71 |
| Pink | - / SA16458 | 25,000-35,000 | 105 | 4.38 |
| Deep Pink | SA6649R / SA1645R | 1600-1700 | 70.83 | 2.95 |

Dimensions (mm)



Technical Characteristics

| | |
|-----------|----------|
| IP Rating | IP67 |
| CRI (Ra) | 80+ |
| Dimmable | Dimmable |
| LED Type | 3014 LED |

Certification



Temperature Ranges

| | |
|-----------------------|--------|
| Operating temperature | -25~60 |
| Storage temperature | -20~70 |

Warranty

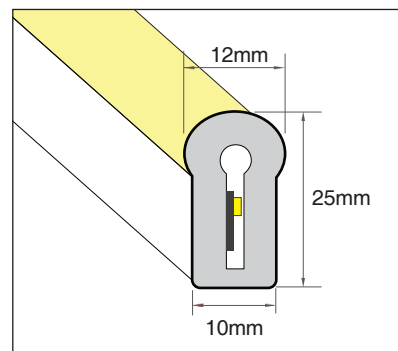
| | |
|----------|---------|
| Warranty | 5 Years |
|----------|---------|

Physical Characteristics

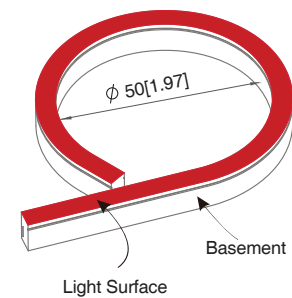
| | |
|-------------------|--------------|
| Dimensions(L*W*H) | 5000*12*25mm |
| Weight | 1.2kg |

Profile Drawings

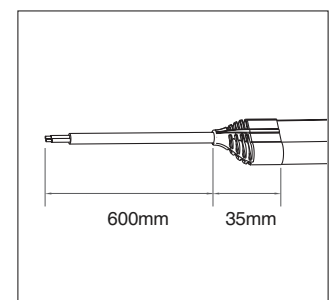
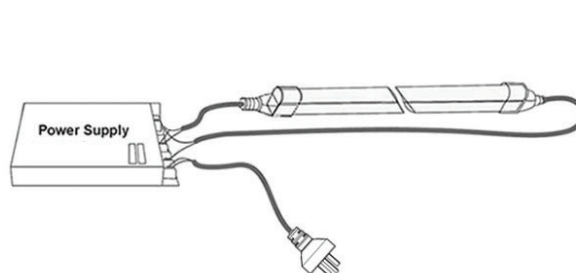
Sectional View



Minimum Bending Diameter

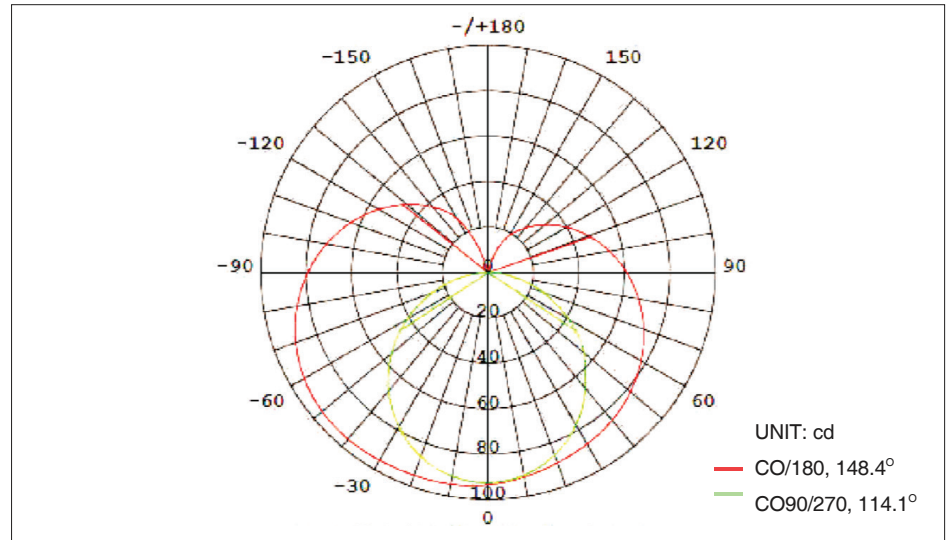


Double end feed



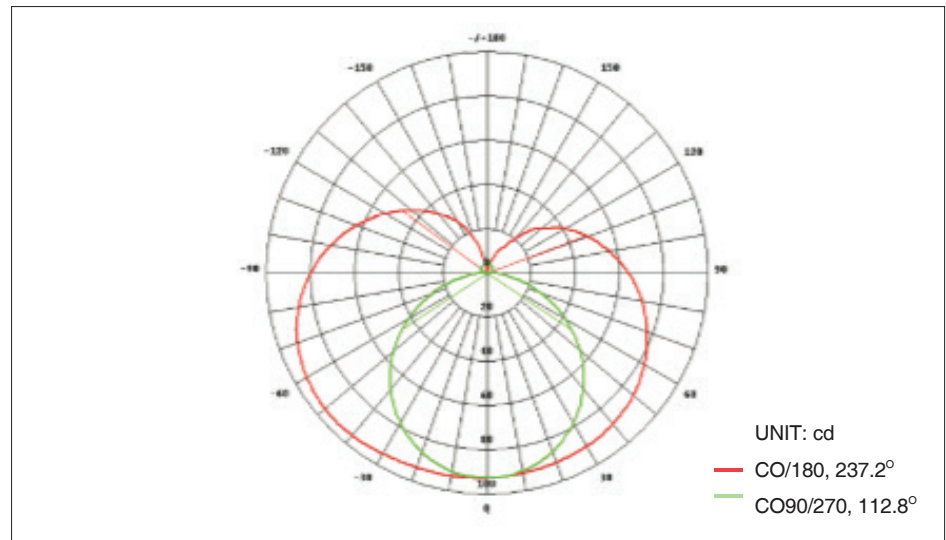
Photometry

12V



Average Beam Angle (50%) : 131.2°

24V



Average Beam Angle (50%) : 175°

| Accessories

Connector



Right Side
SA 9512



Left Side
SA 9511



Bottom Side
SA 9513



Connection
SA 951



Connection
SA 9582



Splice Connector
SA 9514



Quick Connector
SA 9515



Splice Connector
SA 953



L-Shape Connector
SA 9531

Mount



Silicone End Cap
SA 956



Clear Mount 12mm
SA 957



AL Mount_35mm
SA 955



AL Mount 1M
SA 954